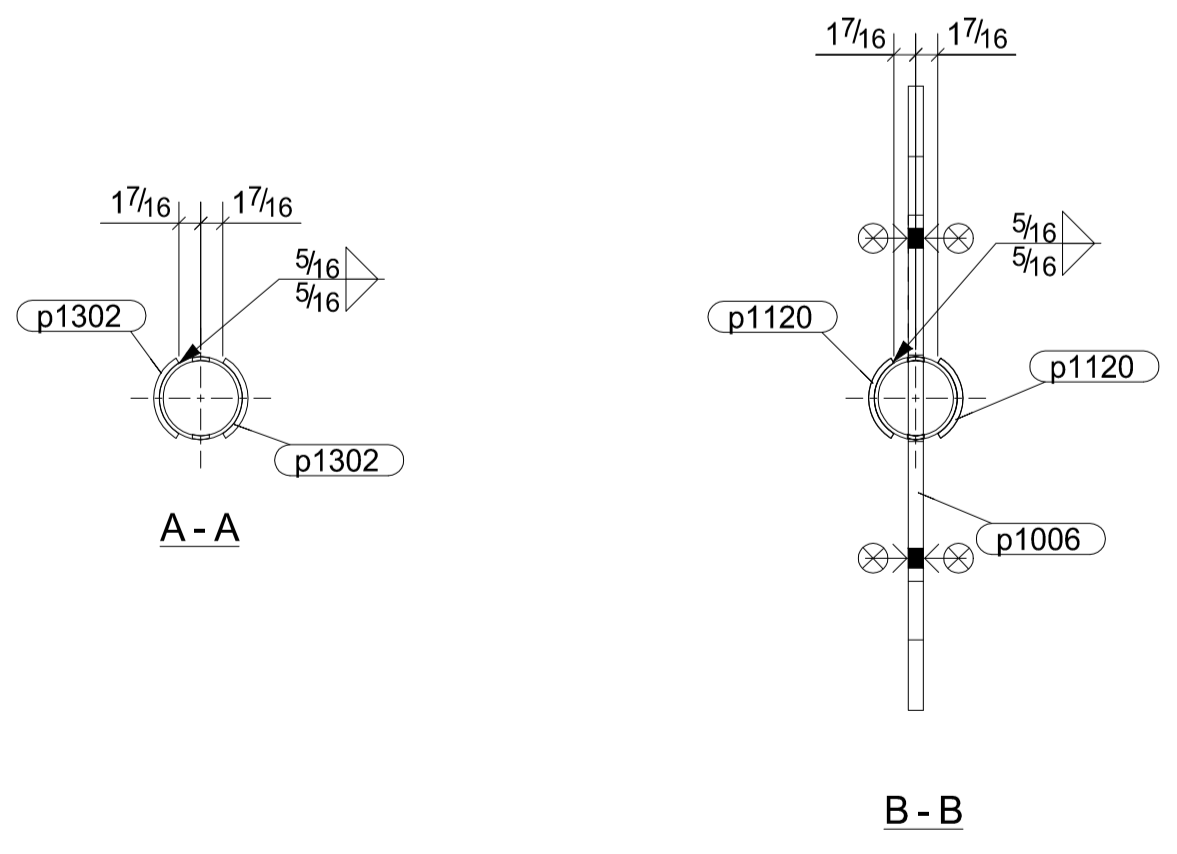
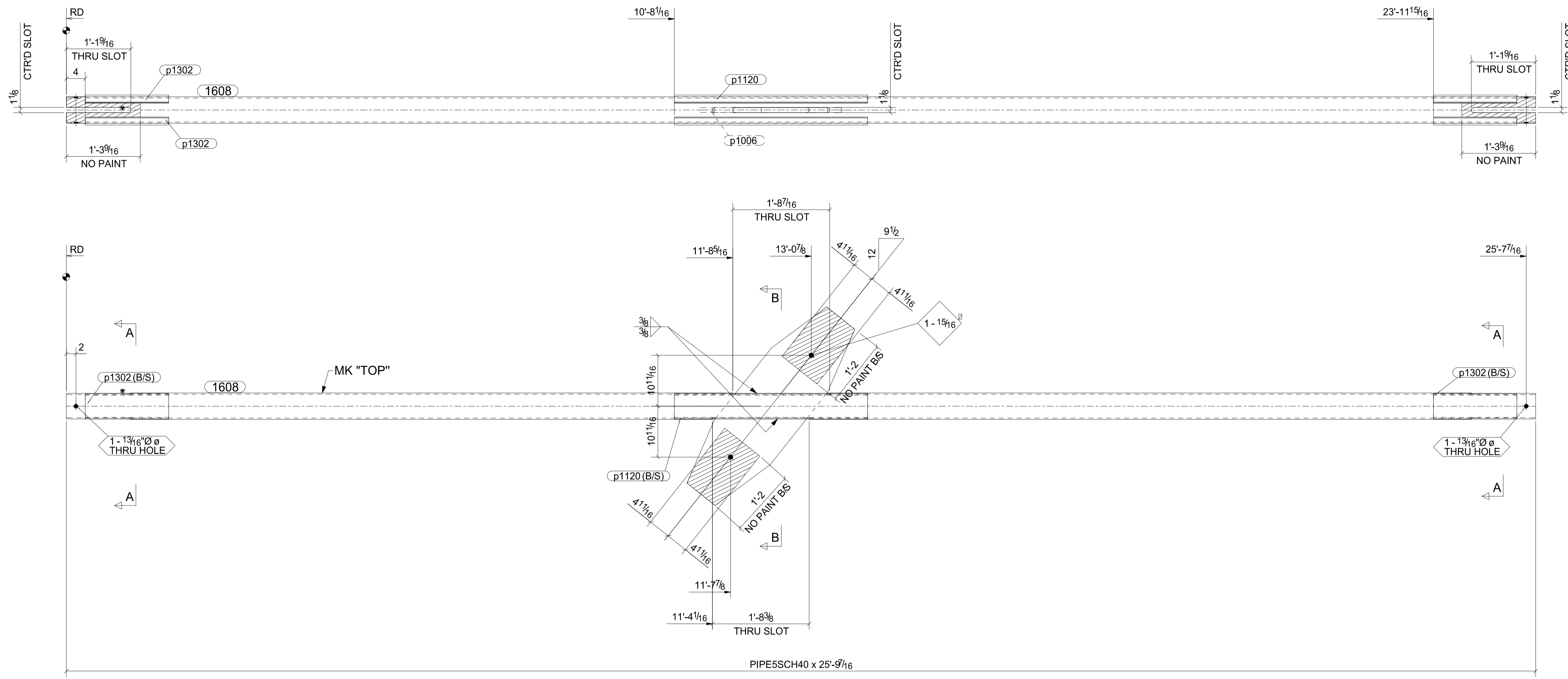


**FIELD BOLT SUMMARY**

TOTAL QTY	UNIT QTY	BOLT DIA	BOLT GRADE	LENGTH	REMARK
2	2	3/4"	A307	6 3/4"	

**BILL OF MATERIAL**

ABM MARK	QTY	SHIP MARK	PIECE MARK	DESCRIPTION	LENGTH (ft. - in)	MATERIAL GRADE	REMARKS
	1	1608		V_BRACE			SHOP PRIMER
1323	1		1608	PIPESSCH40	25'-9 7/16"	A53-B	
	1		p1006	PL 1"x15 1/16"	3'-11 3/8"	A36	
	2		p1120	PL 3/8"x6"	3'-4 11/16"	A36	ROLLED
	4		p1302	PL 3/8"x6"	1'-5 9/16"	A36	ROLLED
SHOP BOLTS							



ONE - V\_BRACE - 1608  
 LATERAL FRAME