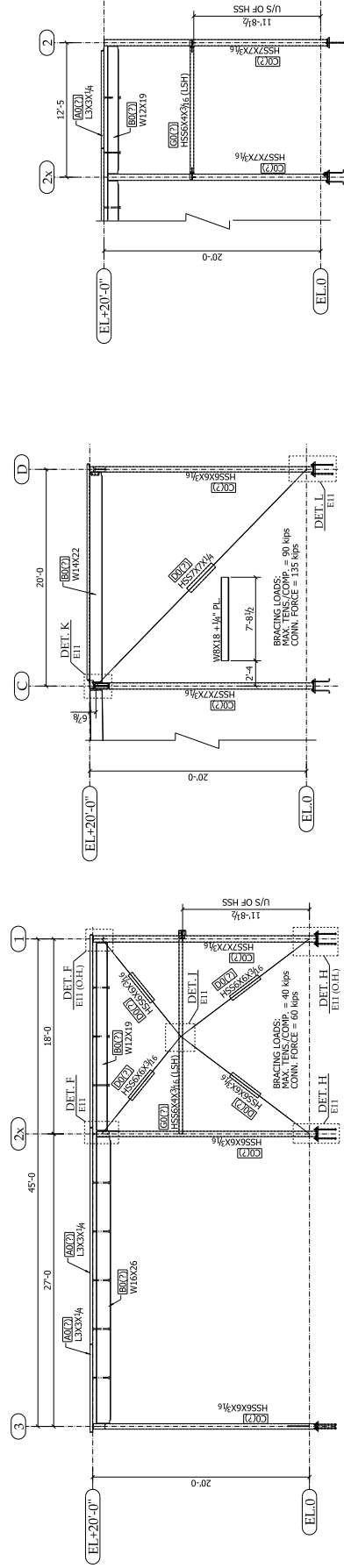


ELEVATION ALONG GRID LINE 15

ELEVATION ALONG GRID LINE 1



ELEVATION ALONG GRID LINE D

ELEVATION ALONG GRID LINE 3

ELEVATION ALONG GRID LINE Ax