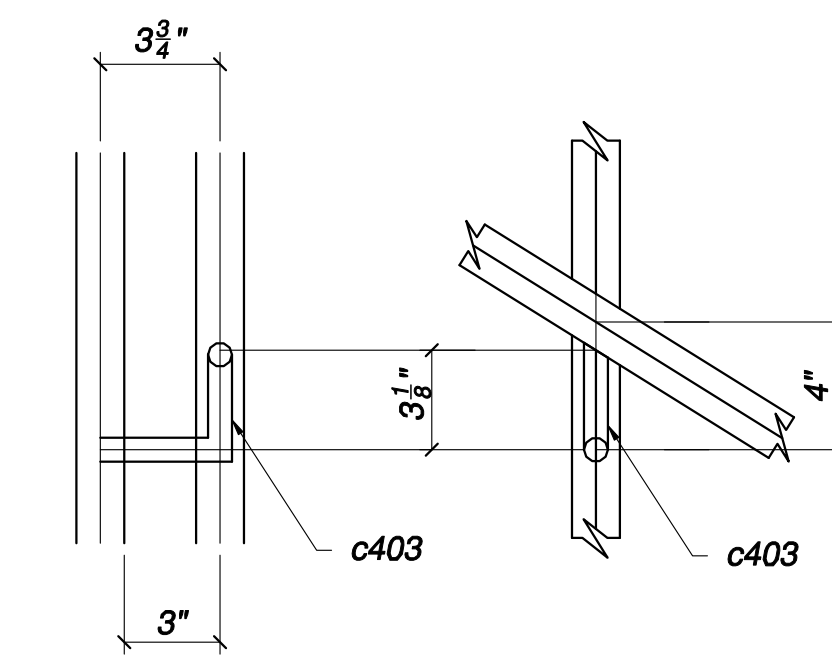
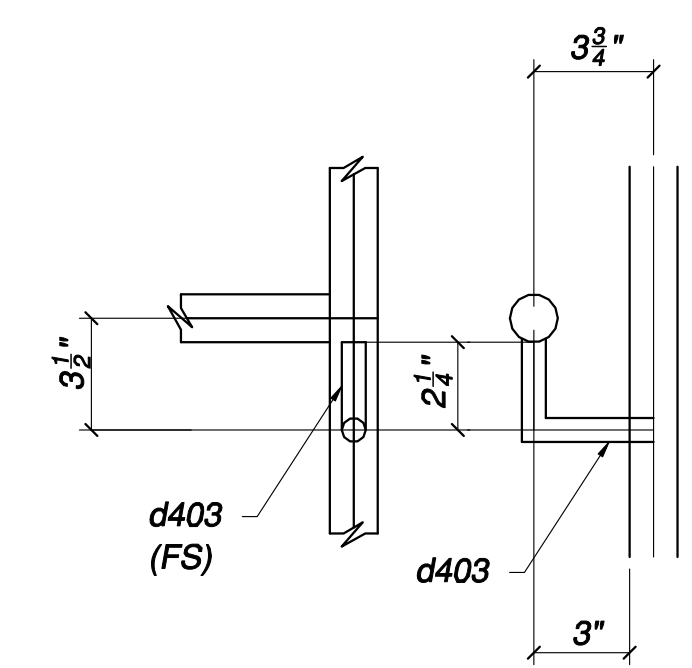


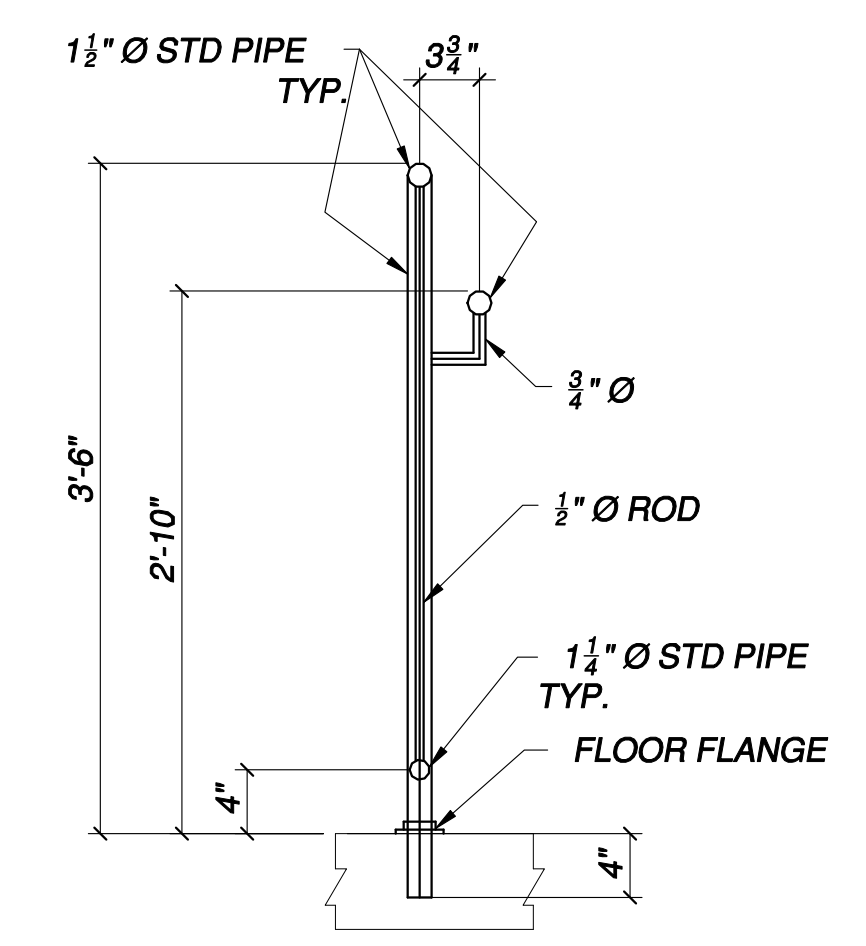
ONE-RAIL-403R1 R
 ONE-RAIL-403R1 L



DETAIL-A



DETAIL-B



TYP. RAIL DETAIL

BILL OF MATERIAL

ITEM NO.	SHIP MARK	PIECE MARK	NO. OF PIECES	DESCRIPTION	LENGTH		REMARKS	WEIGHT
					FEET	INCHES		
403R1	R		ONE	RAIL				
403R1	L		ONE	RAIL				
			LIN.FT.	1 1/2" Ø STD PIPE	100	0		
			LIN.FT.	1 1/4" Ø STD PIPE	36	0		
a403			24	1/2" Ø ROD	2	11 1/2"		
b403			14	1/2" Ø ROD	2	11 1/2"		
c403			2	3/8" Ø ROD	0	6 3/4"		
d403			1	3/4" Ø ROD	0	6 1/2"		
			5	FLOOR FLANGE				

FIELD BOLT LIST
 (EXACT COUNT THIS DWG.)