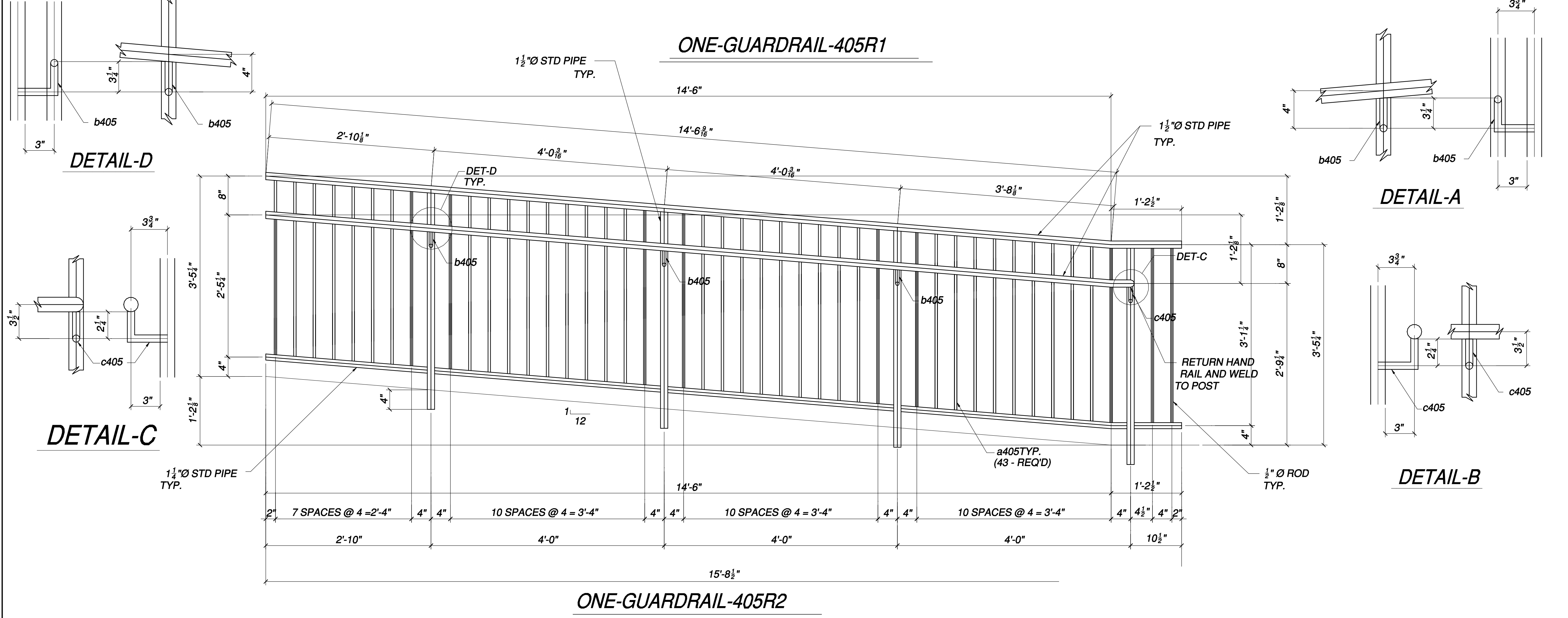
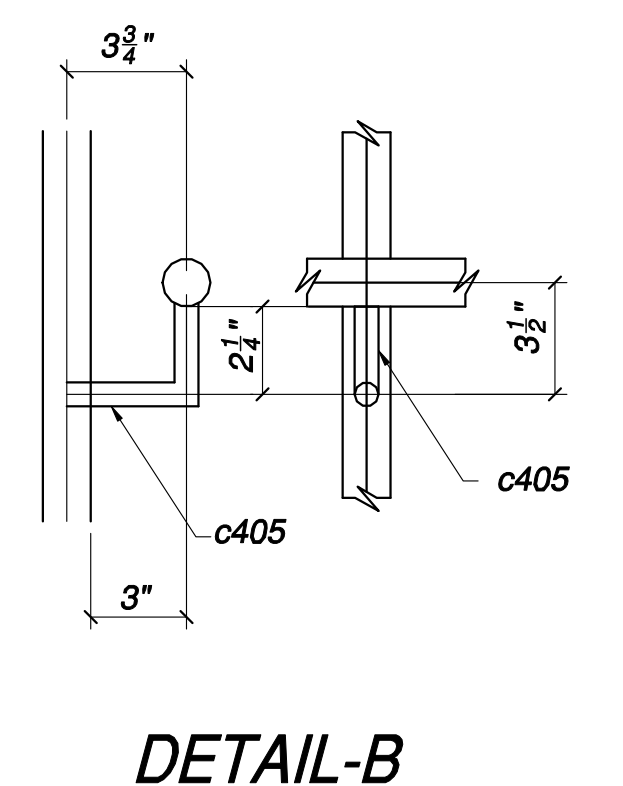
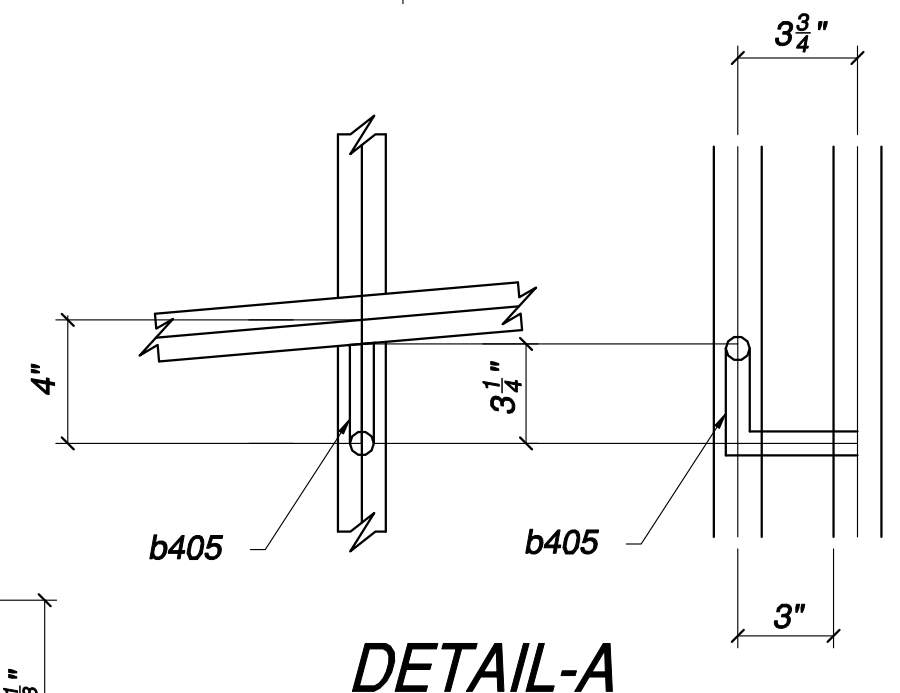
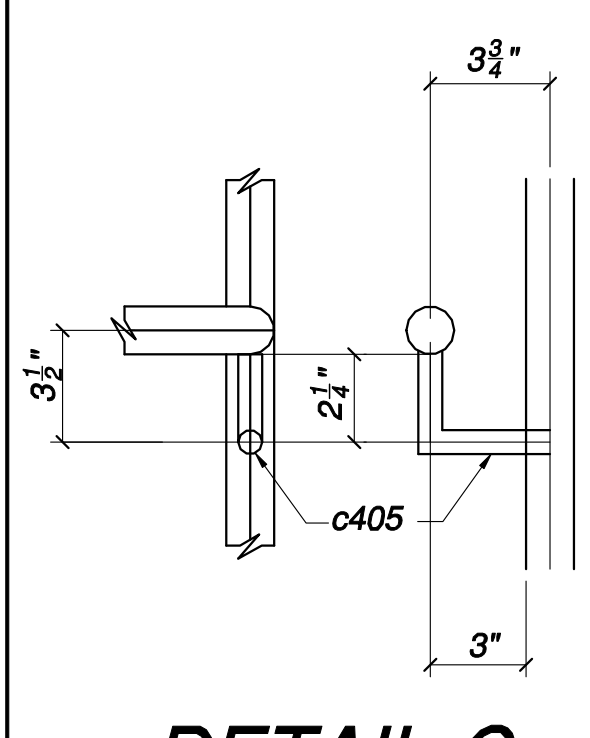
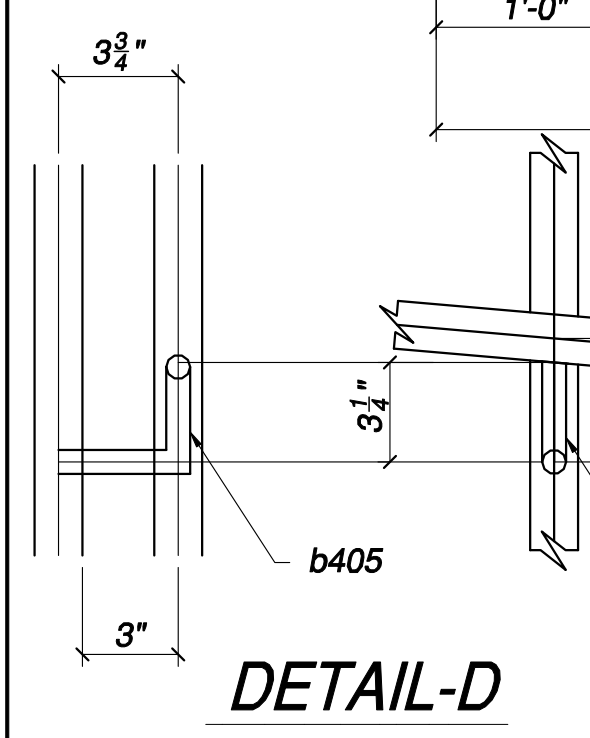


ONE-GUARDRAIL-405R1



ONE-GUARDRAIL-405R2



BILL OF MATERIAL

ITEM NO.	SHIP MARK	PIECE MARK	NO. OF PIECES	DESCRIPTION	LENGTH		REMARKS	WEIGHT
					FEET	INCHES		
404R1			ONE	RAIL				
			LIN.FT.	1 1/2" Ø STD PIPE	75	0		
			LIN.FT.	1 1/4" Ø STD PIPE	24	0		
	a405	58	1/2" Ø ROD	2	11 7/8"			
	b405	5	3/4" Ø ROD	0	6 1/2"			
c405	2	3/2" Ø ROD	0	6 1/2"				
			7	FLOOR FLANGE				
405R2			ONE	RAIL				
			LIN.FT.	1 1/2" Ø STD PIPE	49	0		
			LIN.FT.	1 1/4" Ø STD PIPE	18	0		
	a405	43	1/2" Ø ROD	2	11 7/8"			
	b405	3	3/4" Ø ROD	0	6 1/2"			
	c405	1	3/2" Ø ROD	0	6 1/2"			
				4	FLOOR FLANGE			
FIELD BOLT LIST (EXACT COUNT THIS DWG.)								