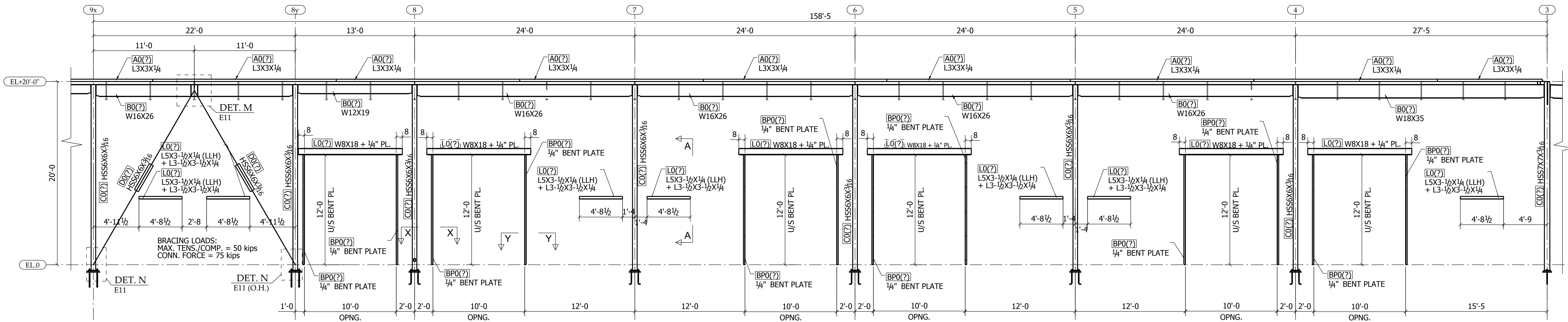
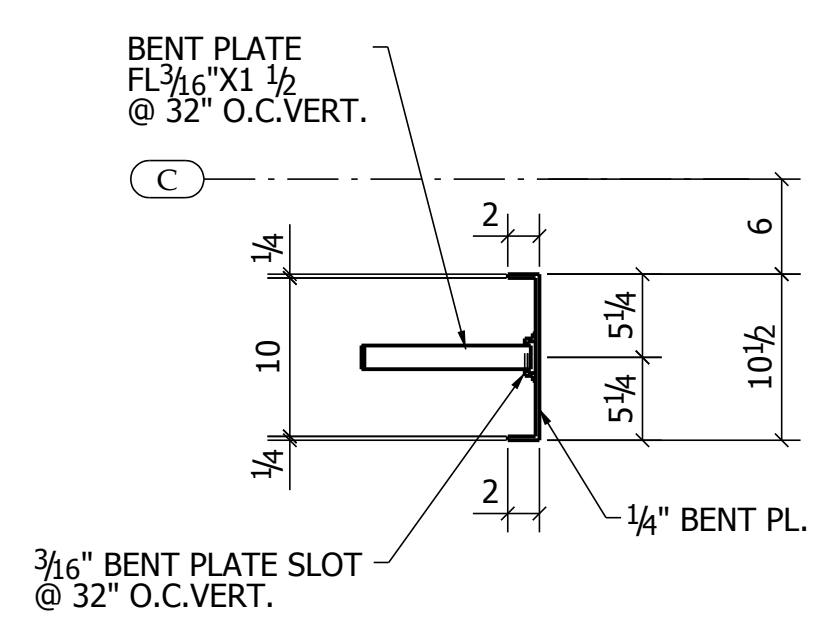


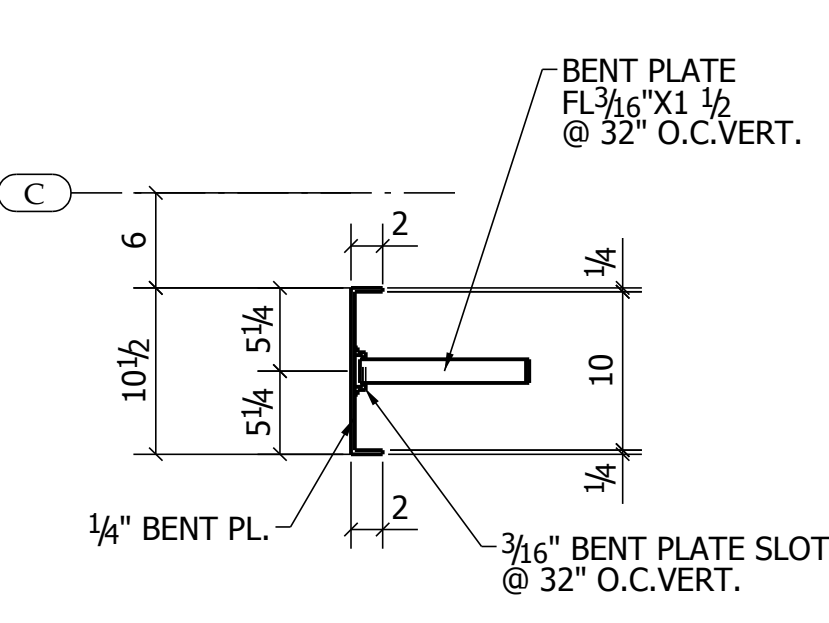
ELEVATION ALONG GRID LINE C



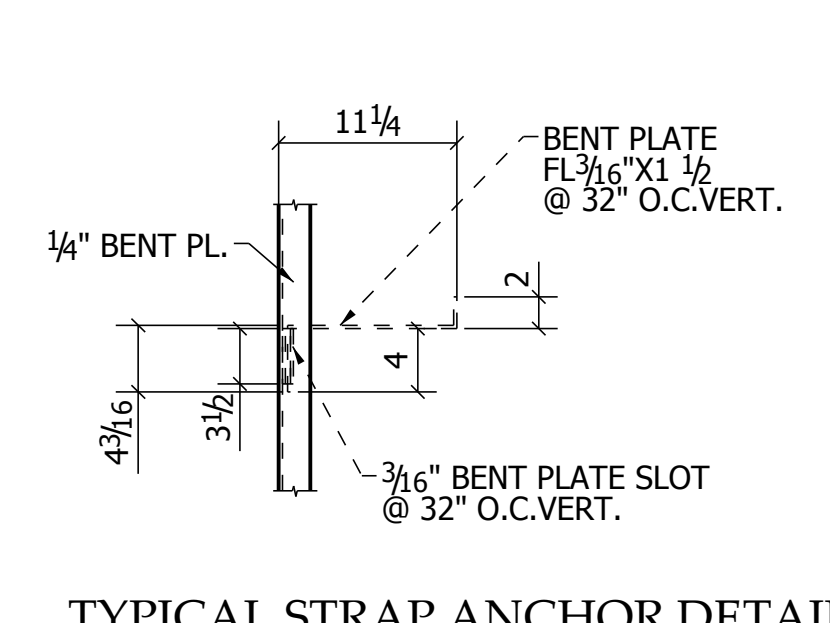
ELEVATION ALONG GRID LINE C



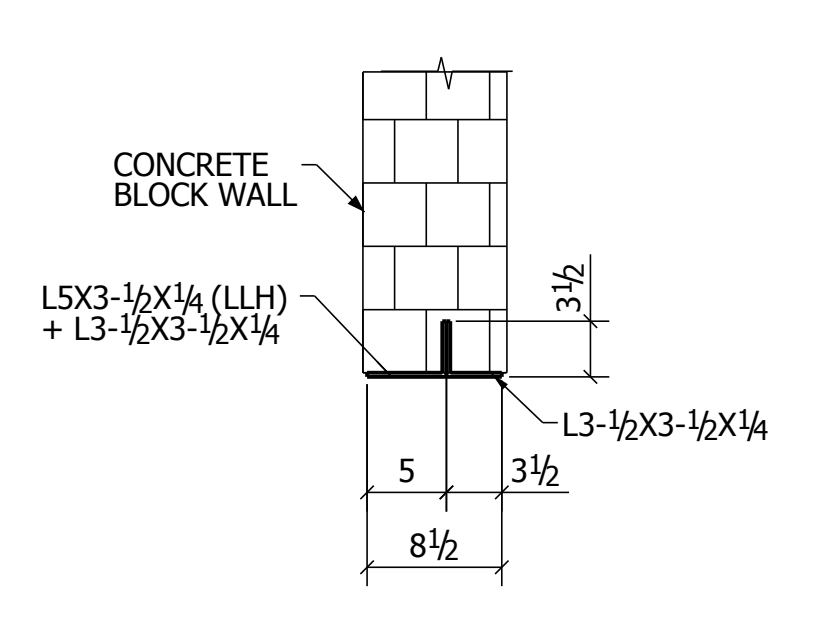
SECTION X - X  
TYPICAL STRAP ANCHOR DETAIL  
FOR BENT PLATE JAMBS



SECTION Y - Y  
TYPICAL STRAP ANCHOR DETAIL  
FOR BENT PLATE JAMBS



TYPICAL STRAP ANCHOR DETAIL  
FOR BENT PLATE JAMBS



SECTION A - A  
TYP. LINTEL DETAIL