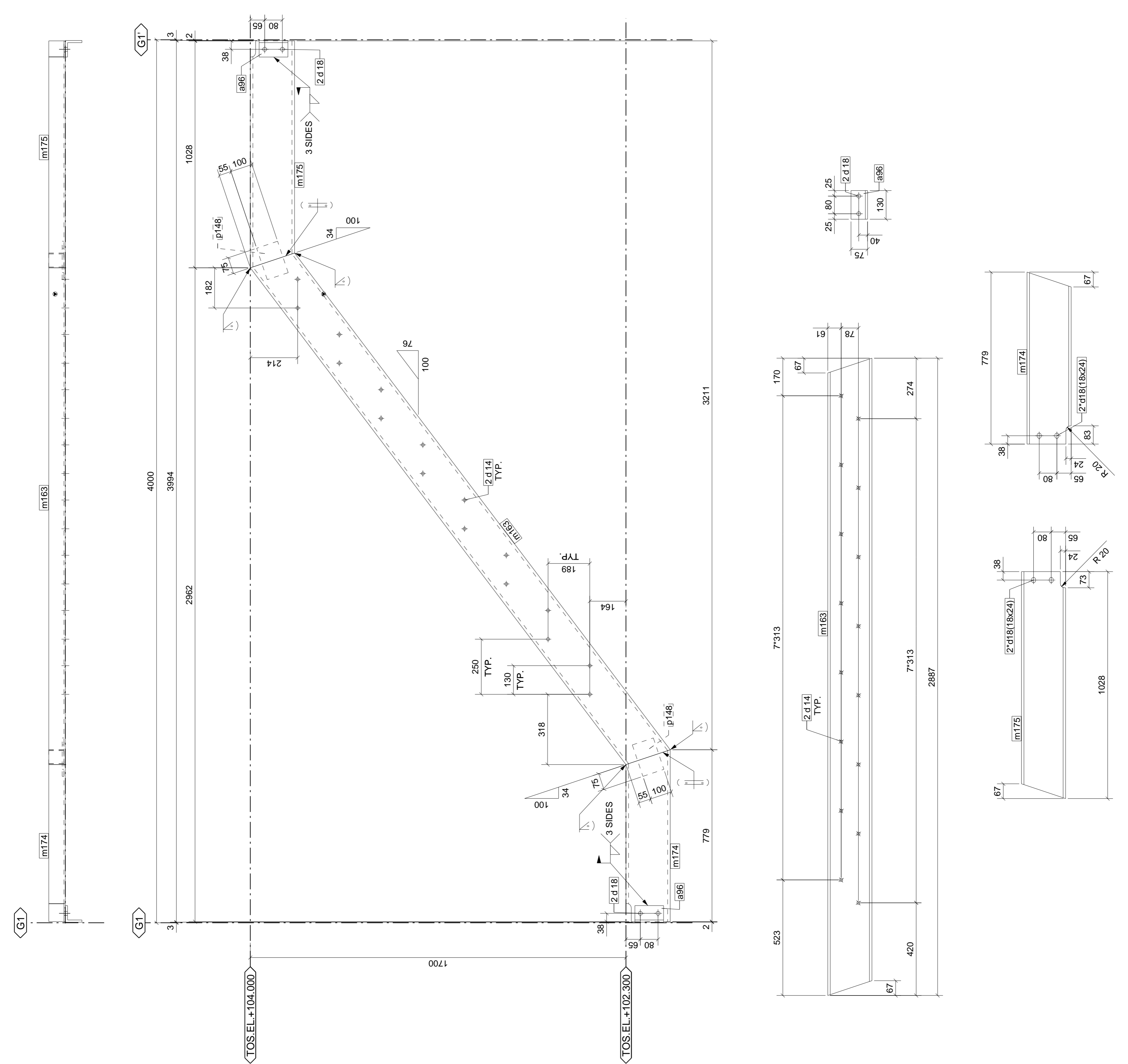


MARK NO.	GRID LOCATION
1ST1	9c-10a/G1-G1' 104.000

MATERIAL LIST FOR ASSEMBLY MKD' 1ST1 ONE No. REQD.					
Part Mark	Size	No.	Length Unit	Wt./Item	Weight
a86	L75*75*10	2	130	1.4	2.9
m163	ISM200	1	2887	64.6	64.6
m174	ISM200	1	779	17.4	17.4
m175	ISM200	1	1028	23.0	23.0
p148	PL8*100	2	150	0.9	1.9
Total Weight:					109.8 kg

BOLT LIST FOR ASSEMBLY MKD' 1ST1				
Diam.	Grade	Type	Length	No.
M16	4.6	S16	50	4



ONE No. STAIR REQUIRED AS DRAWN MKD' 1ST1

TITLE: PIPERACK PR-4B
DETAIL OF STAIR 1ST1

