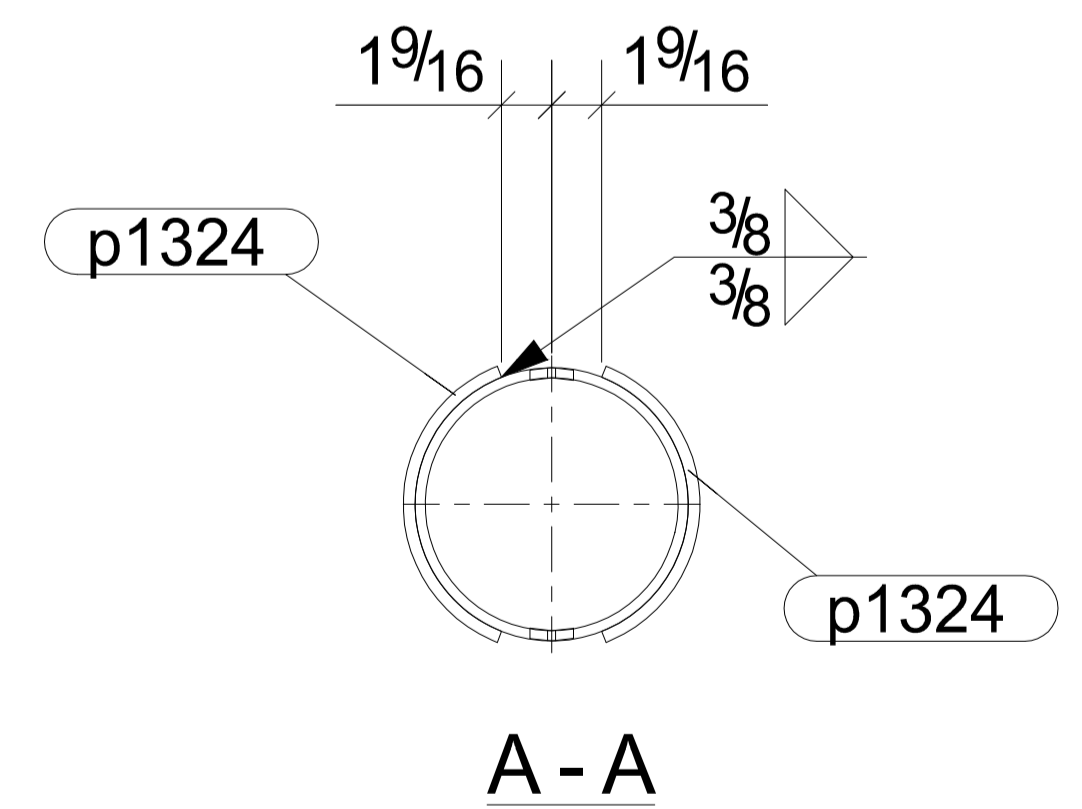
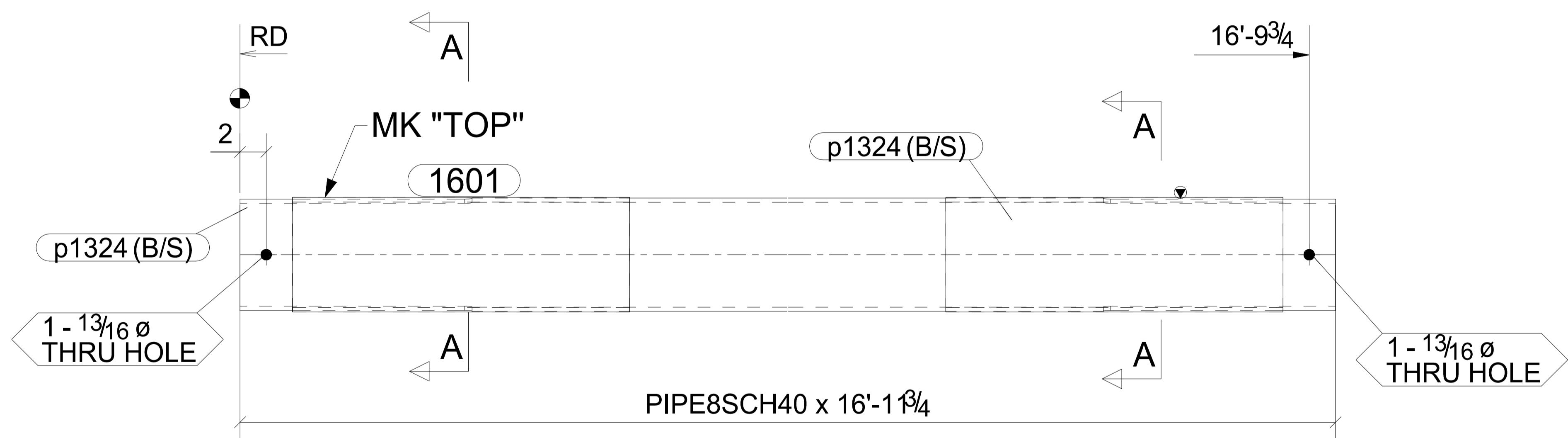
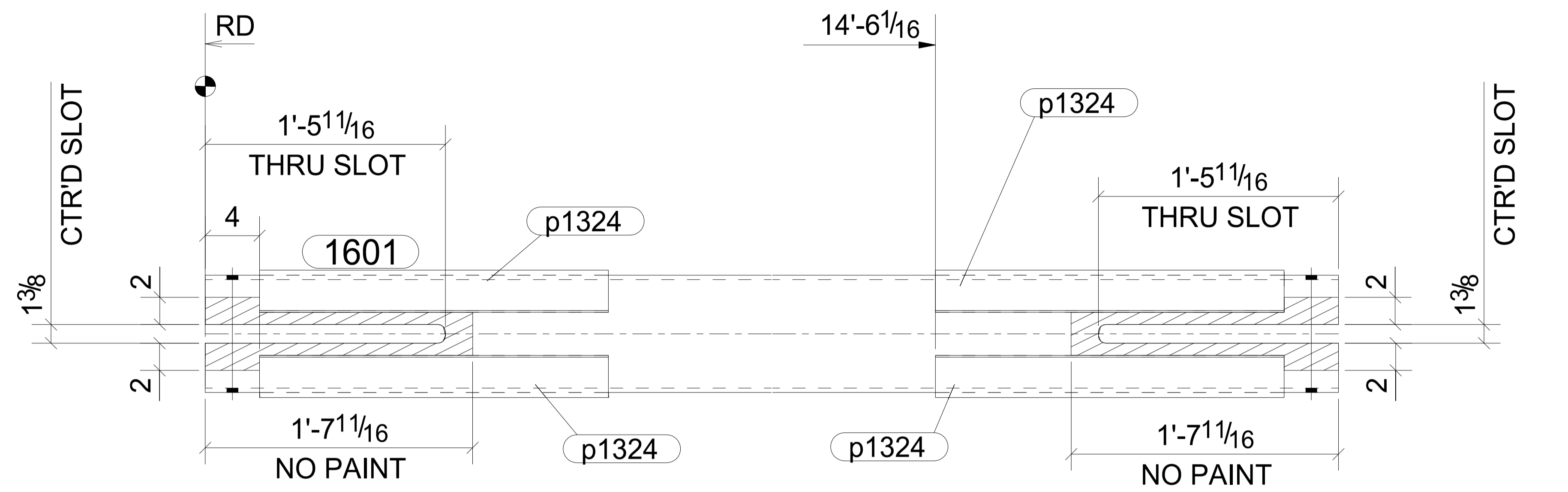


FIELD BOLT SUMMARY

TOTAL QTY	UNIT QTY	BOLT DIA	BOLT GRADE	LENGTH	REMARK
12	2	3/4"	A307	9 3/4"	

BILL OF MATERIAL

ABM MARK	QTY	SHIP MARK	PIECE MARK	DESCRIPTION	LENGTH (ft - in)	MATERIAL GRADE	REMARKS
	6	1601		V_BRACE			SHOP PRIMER
1053	6		1601	PIPE8SCH40	16'-11 3/4"	A53-B	
	24		p1324	PL3/8"X10 3/4"	2'-1 11/16"	A36	ROLLED
SHOP BOLTS							



6 - V_BRACES - 1601