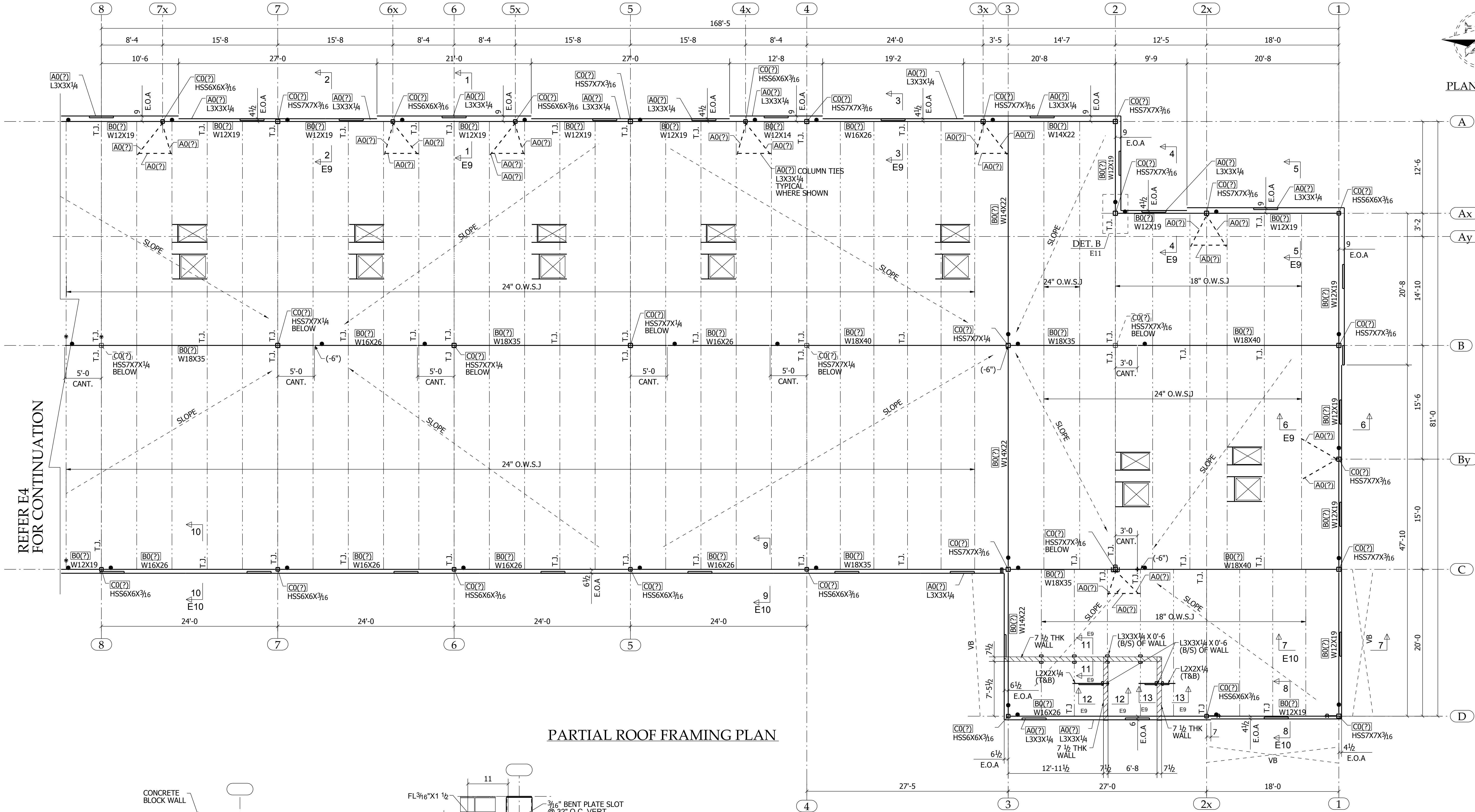
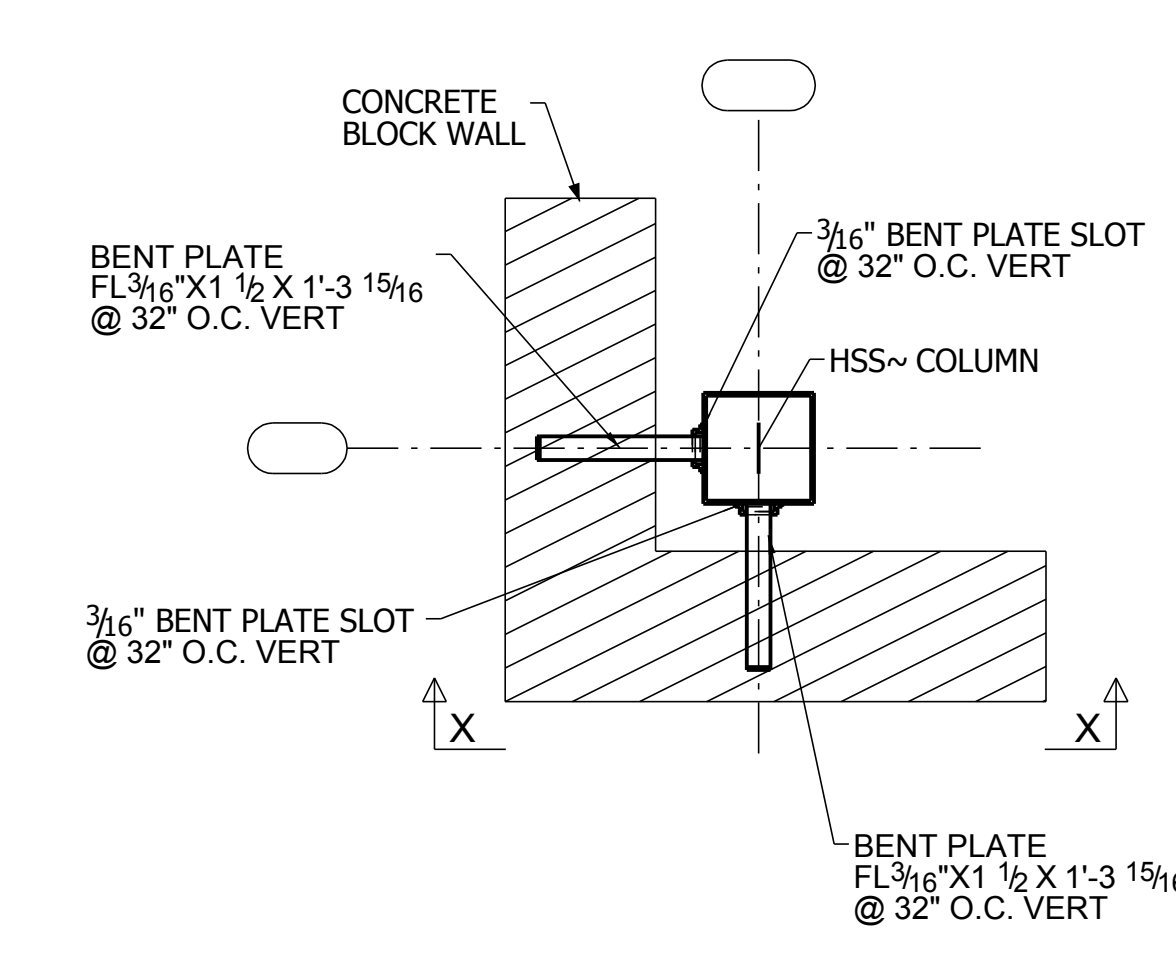


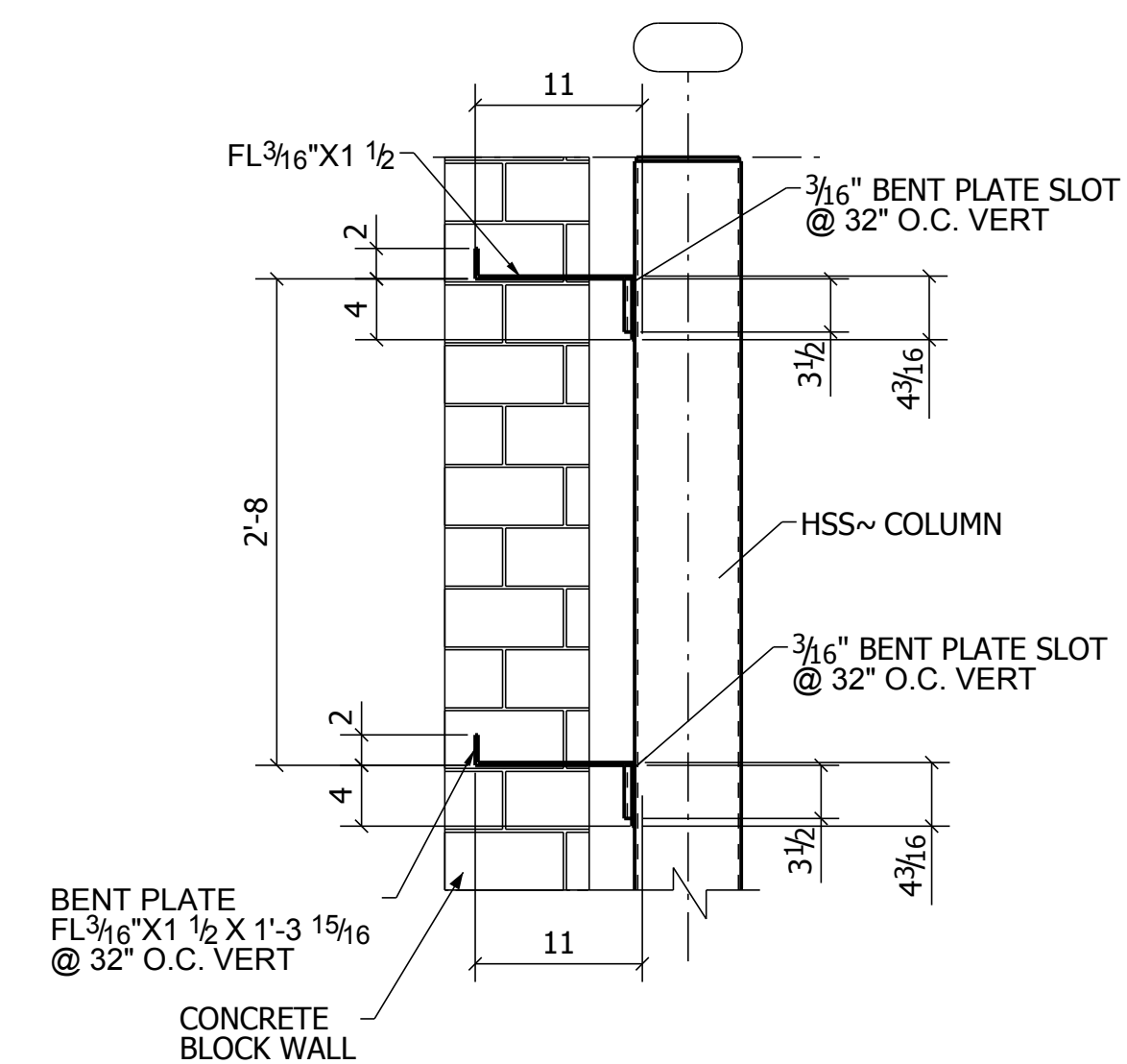
PLAN NORTH



PARTIAL ROOF FRAMING PLAN



DETAIL A
E4
TYP. MASONRY SUPPORT ANCHOR DETAILS



X - X
E9