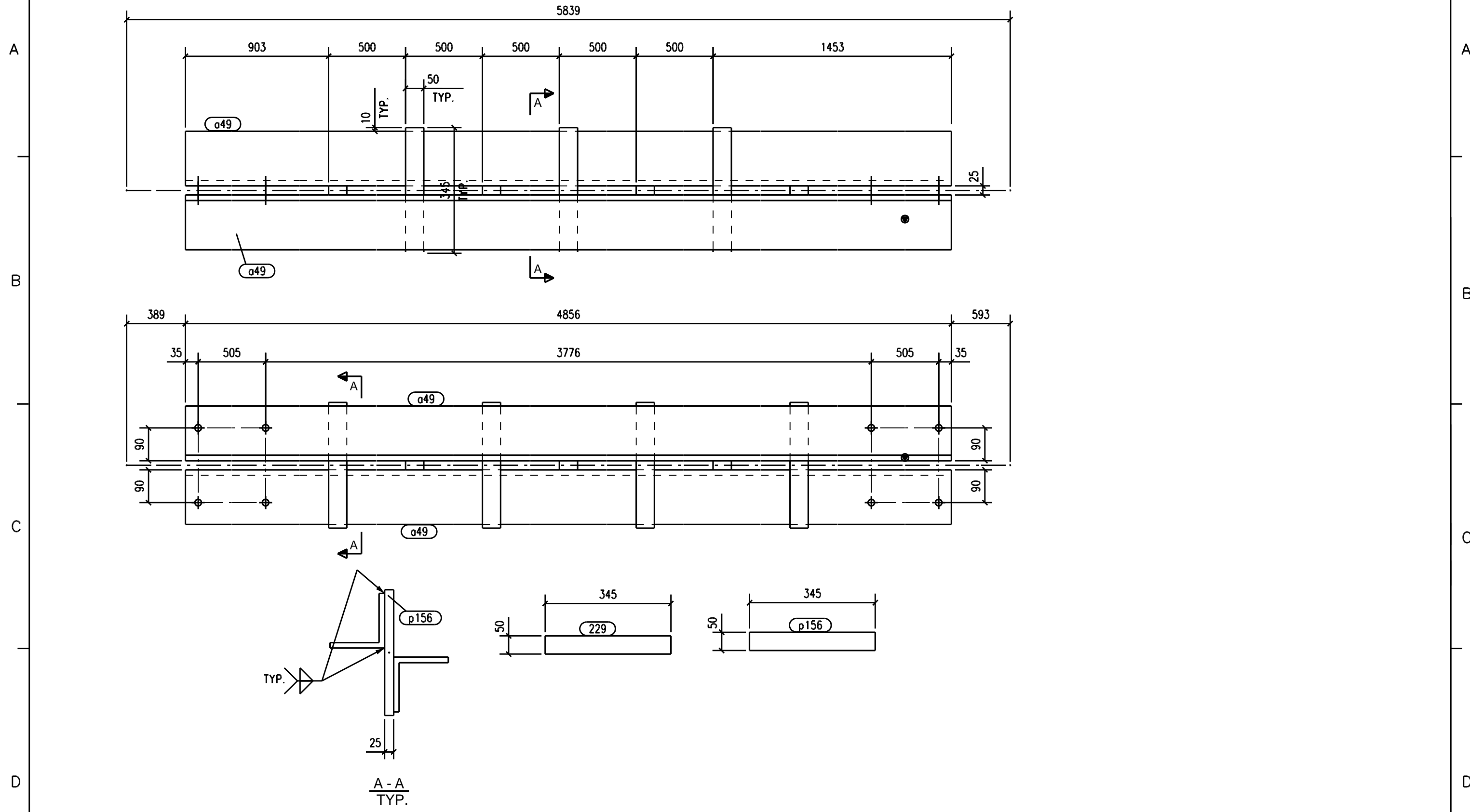


GRID LOCATION	ELEVATION
VB41 G/36-35	EL.107.079
VB41 G/36-35	EL.107.214

BILL OF MATERIAL							
QTY	ASSEMBLY MARK	QTY	PART MARK	DESCRIPTION	CLASS/ GRADE	TOTAL/UNIT LENGTH	TOTAL WEIGHT
2	VB41			HOR BRACING		4856	703.1
		4	a49	ISA150X150X15	IS:2062	4856	655.7
		6	229	PL25*50	IS:2062	345	20.3
		8	p156	PL25*50	IS:2062	345	27.1
		16		BOLT M16x65 Lg	GR. 8.8XOX		



2 Nos. HOR BRACING REQUIRED AS DRAWN MKD' VB41

FABRICATION DETAIL OF HOR BRACING MKD. VB41