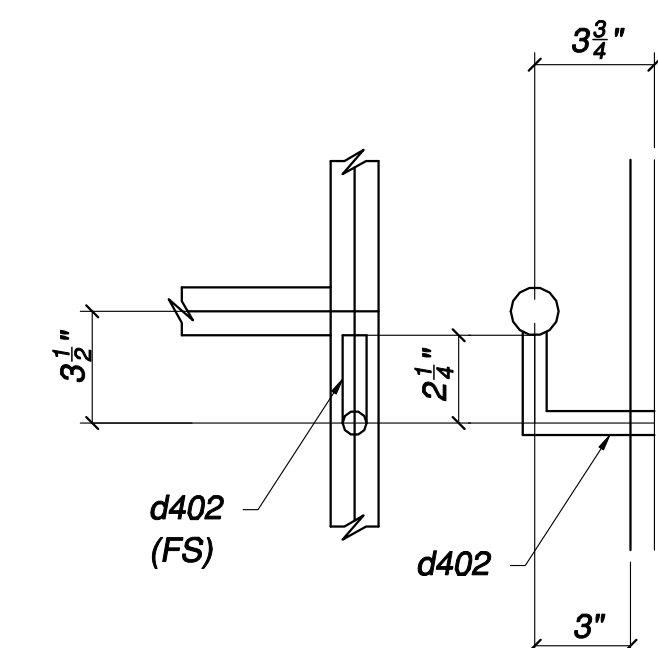
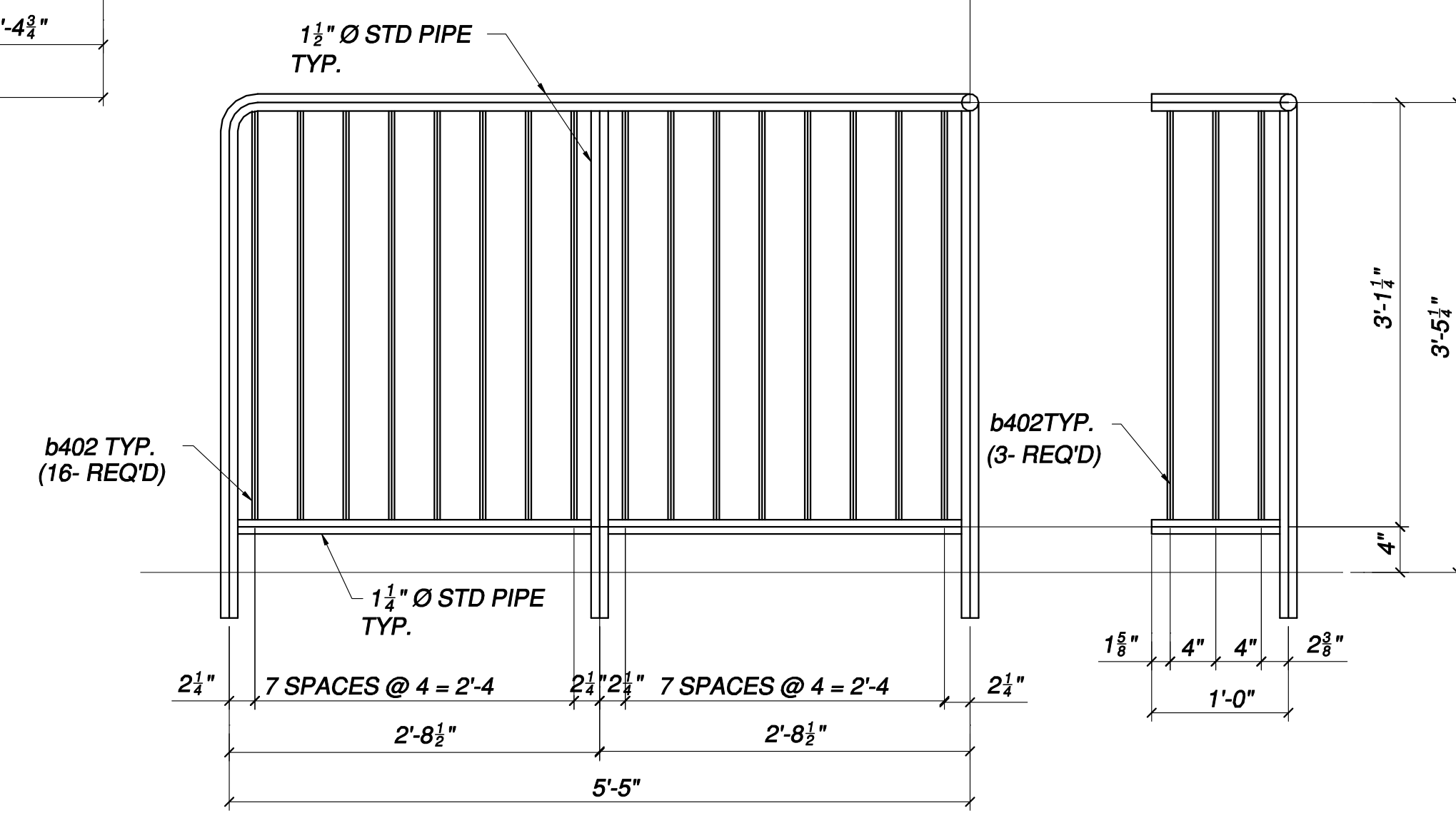
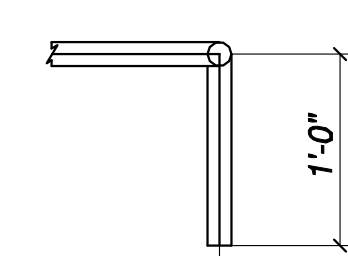


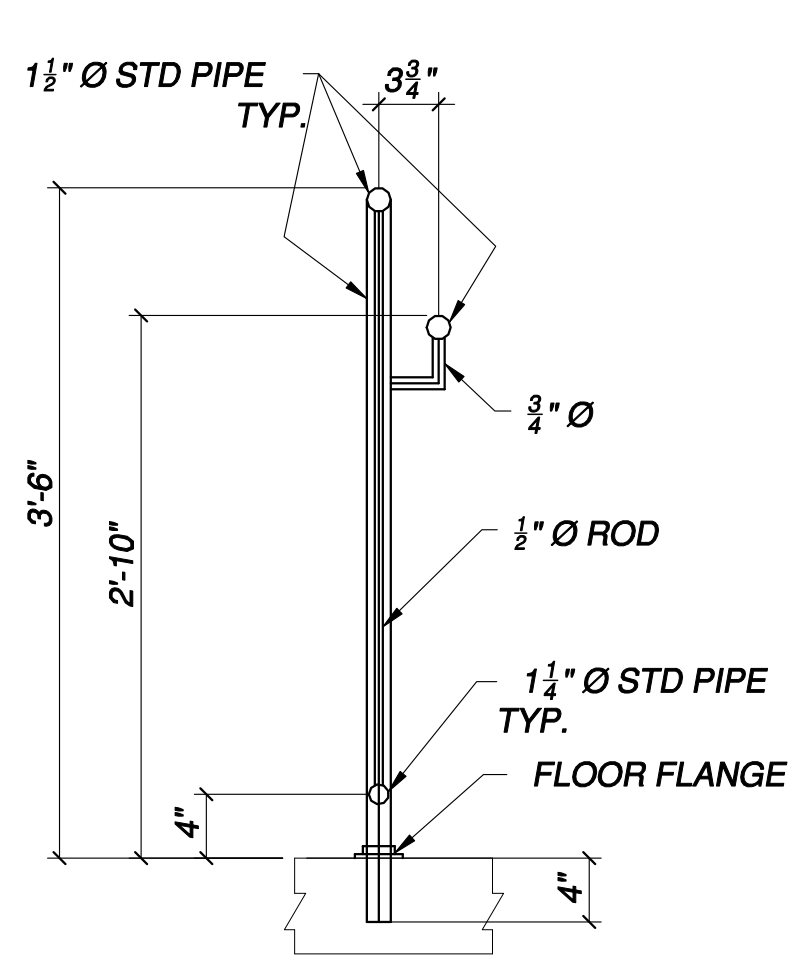
DETAIL-A



DETAIL-B



ONE-RAIL-402R2



TYP. RAIL DETAIL

ONE-RAIL-402R1

BILL OF MATERIAL

ITEM NO.	SHIP MARK	PIECE MARK	NO. OF PIECES	DESCRIPTION	LENGTH		REMARKS	WEIGHT
					FEET	INCHES		
402R1			ONE	RAIL				
			LIN.FT.	1 1/2" Ø STD PIPE	46	0		
			LIN.FT.	1 1/4" Ø STD PIPE	18	0		
	a402	24	1/2" Ø ROD	2	11 1/2"			
	b402	13	1/2" Ø ROD	2	11 1/2"			
			c402	2	3/4" Ø ROD	0	6 3/4"	
			d402	1	3/4" Ø ROD	0	6 1/4"	
			4	FLOOR FLANGE				
402R2			ONE	RAIL				
			LIN.FT.	1 1/2" Ø STD PIPE	20	0		
			LIN.FT.	1 1/4" Ø STD PIPE	7	0		
	b402	19	1/2" Ø ROD	2	11 7/8"			
				3	FLOOR FLANGE			
FIELD BOLT LIST (EXACT COUNT THIS DWG.)								